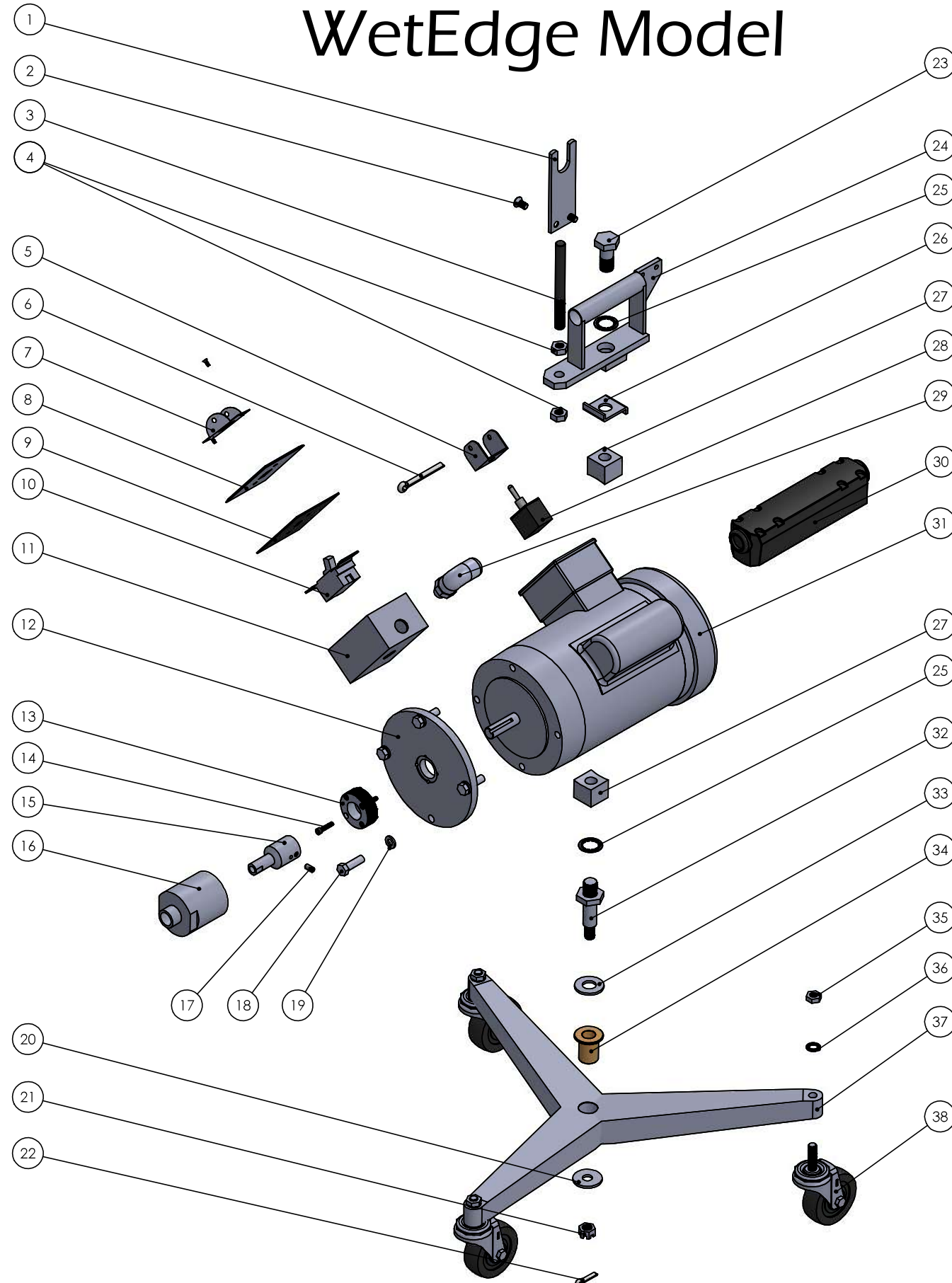




# 3EG-EA Parts List

## WetEdge Model



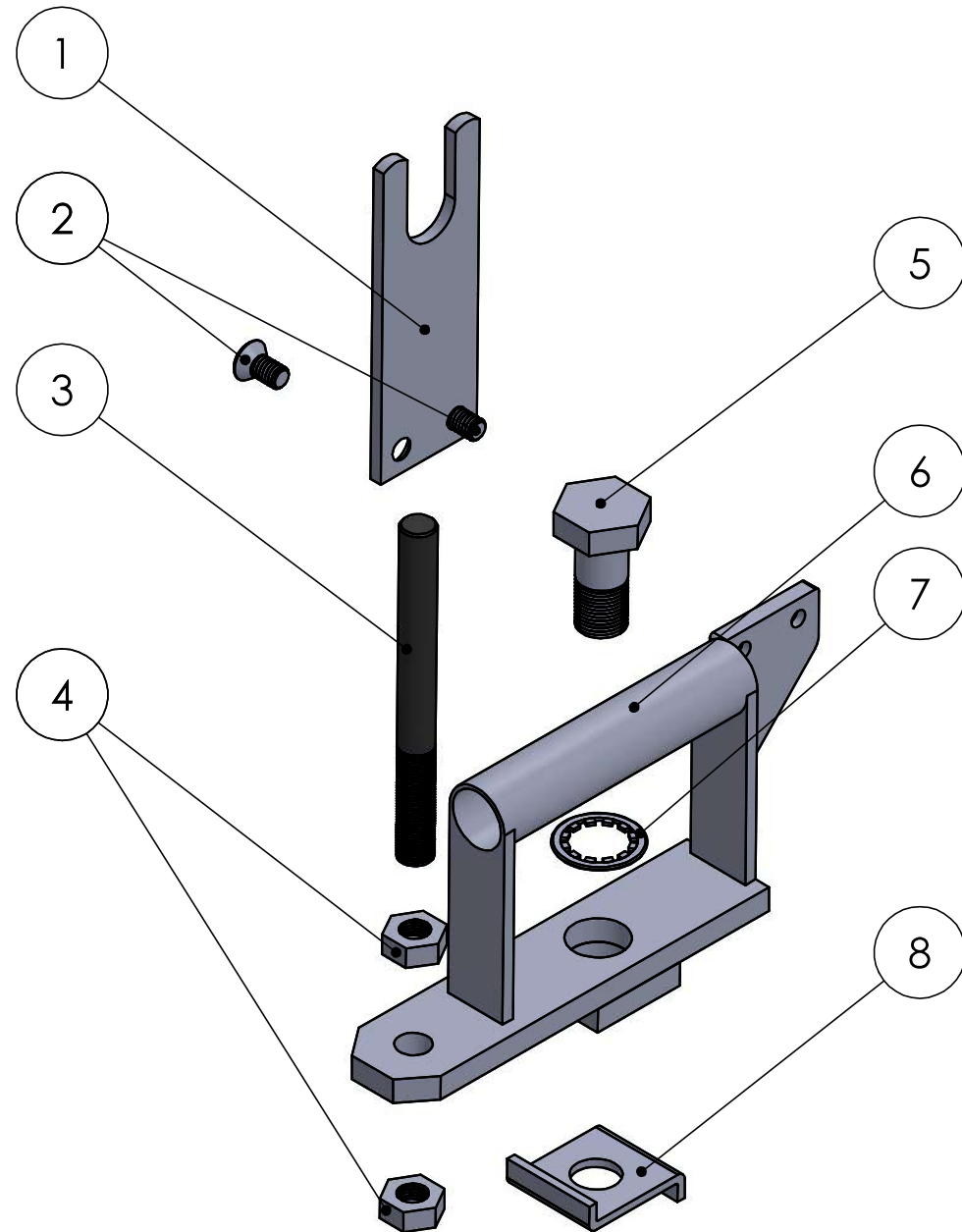
ITEM NO.	PART NUMBER	DESCRIPTION	QTY.
1	001775	WRENCH, STAND, MOTOR	1
2	100687A	FLAT HD SCREW 5/16-18 X 5/8" LG	2
3	009575	SPINDLE STUD	1
4	9103144	1/2-20 JAM NUT	2
5	011871C	SWITCH LOCKOUT	1
6	9103727	PIN, COTTER 1/8 X 2-1/2 LG	1
7	002710	TOGGLE PROTECTOR	1
8	FS 025-PLATE	SWITCH PLATE	1
9	002709	RUBBER GASKET,3EG-EA,6EG-EA,ON-OFF	1
10	002703	TOGGLE SWITCH,NEW	1
11	FS 025-BOX	SWITCH BOX	1
12	FS 106A	END BELL ADAPTOR	1
13	FS 054A	THREADED ADAPTOR	1
14	AH 029	#10-32 X 7/8 LG SOCKETHEAD CAPSCREW	4
15	FS 103	MOTOR SHAFT ADAPTOR	1
16	FS 104	FLEX HOUSING CONNECTOR	1
17	T3007	1/4-20 X 1/2 LG SOCKET SET SCREW	2
18	T1025	3/8-16 X 1-1/4 LG HEX HEAD CAPSCREW	4
19	T1022	3/8 MEDIUM LOCKWASHER	4
20	000111	1/2 WROUGHT WASHER	1
21	103164	NUT, HEX, SLOTTED 1/2-13	1
22	T2082	COTTER PIN 3/32 X 1	1
23	012993	BOLT, HANDLE	1
24	016153	HANDLE	1
25	103274	3/4 INTERNAL LOCKWASHER	2
26	016154	ADAPTOR	1
27	008799A	MOUNTING SPUD	2
28	011871B	SWITCH	1
29	X-80	90 DEG. CORD CONNECTOR	1
30	T1119	IN-LINE GFI, 20 AMP, 120 VOLT	1
31	FS 102	1.5HP MOTOR	1
32	005610	STUD, SWIVEL	1
33	000112	5/8" FLAT CUT WASHER	1
34	003576	FLANGE BEARING FOR 3577A TRIPOD	1
35	103103	NUT, HEX, JAM 7/16-14	3
36	103270	LOCKWASHER, INTERNAL 7/16"	3
37	003577A	LOW CASTER BASE	1
38	012821-5	CASTER	3
	T1115	PLUG, 115 VOLT	1



**Terrco<sup>®</sup> Inc.**  
 222 1st Avenue NW • Watertown, SD 57201  
 Phone: (605) 882-3888 • Fax: (605) 882-0778  
 Website: [www.terrco.com](http://www.terrco.com) • Email: [info@terrco.com](mailto:info@terrco.com)



# 016153A Parts List



ITEM NO.	PART NUMBER	DESCRIPTION	QTY.
1	001775	WRENCH, STAND, MOTOR	1
2	100687A	FLAT HD SCREW 5/16-18 X 5/8" LG	2
3	009575	SPINDLE STUD	1
4	9103144	1/2-20 JAM NUT	2
5	012993	BOLT, HANDLE	1
6	016153	HANDLE	1
7	103274	3/4 INTERNAL LOCKWASHER	1
8	016154	ADAPTOR	1

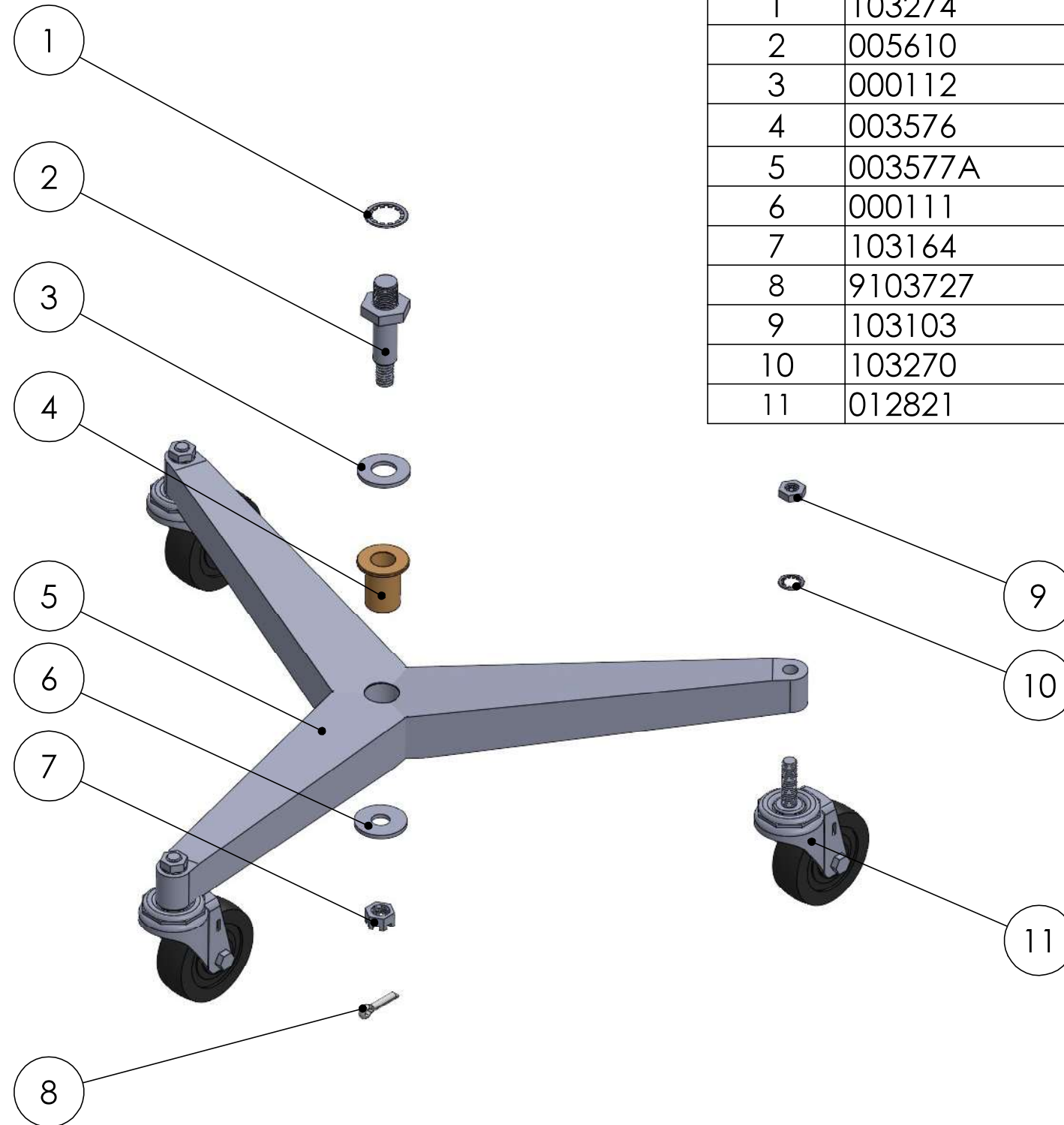


**Terrco<sup>®</sup> Inc.**  
222 1st Avenue NW • Watertown, SD 57201  
Phone: (605) 882-3888 • Fax: (605) 882-0778  
Website: [www.terrco.com](http://www.terrco.com) • Email: [info@terrco.com](mailto:info@terrco.com)



# 003927 Parts List

ITEM NO.	PART NUMBER	DESCRIPTION	QTY.
1	103274	3/4 INTERNAL LOCKWASHER	1
2	005610	STUD, SWIVEL	1
3	000112	5/8" FLAT CUT WASHER	1
4	003576	FLANGE BEARING	1
5	003577A	LOW CASTER BASE	1
6	000111	1/2 WROUGHT WASHER	1
7	103164	NUT, HEX, SLOTTED 1/2-13	1
8	9103727	COTTER PIN, 1/8 X 2 1/2 LG	1
9	103103	NUT, HEX, JAM 7/16-14	3
10	103270	LOCKWASHER, INTERNAL 7/16"	3
11	012821	CASTER	3



**Terrco<sup>®</sup> Inc.**  
222 1st Avenue NW • Watertown, SD 57201  
Phone: (605) 882-3888 • Fax: (605) 882-0778  
Website: [www.terrco.com](http://www.terrco.com) • Email: [info@terrco.com](mailto:info@terrco.com)